



2.429×3.480×2.400(inch)

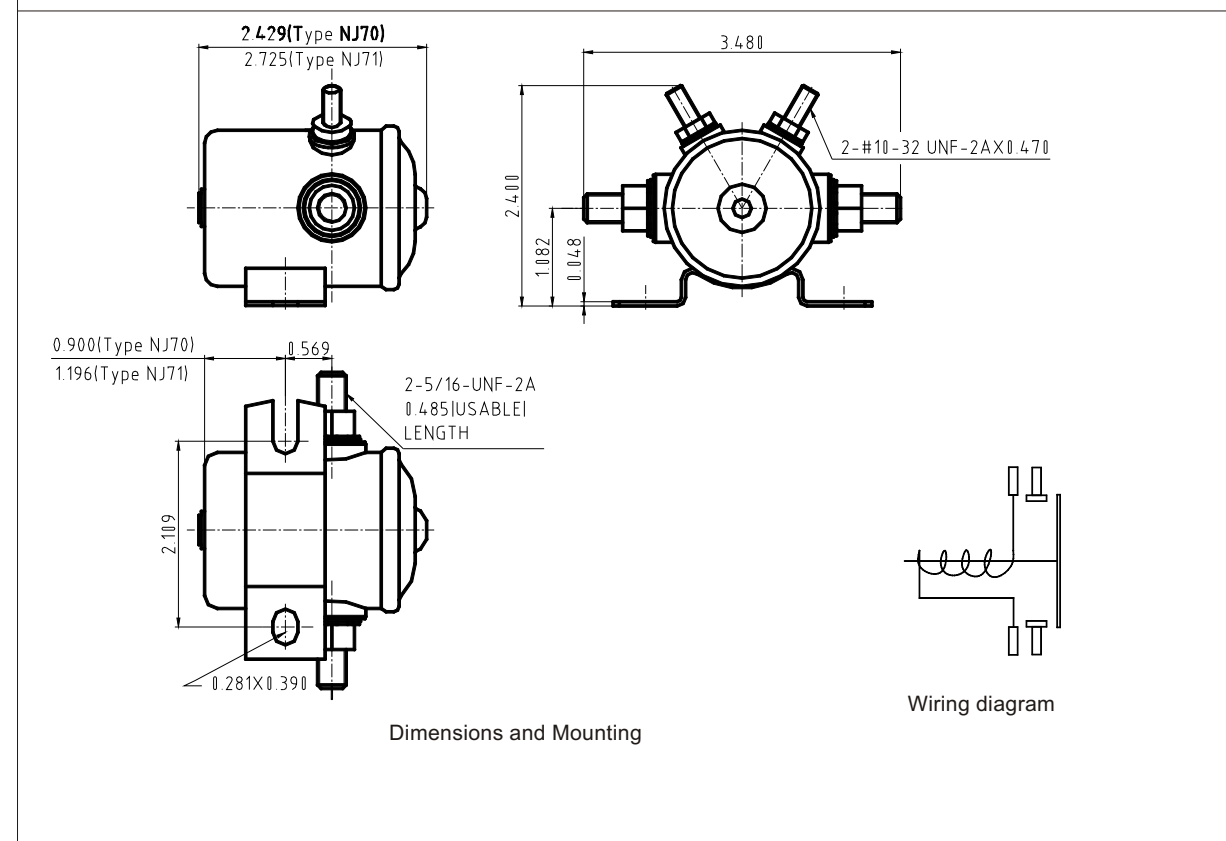
# NJ70&NJ71

## GENERAL DATA

Dielectric Strength	500V	
Temperature Range	-40° F~122° F (-40°C~50°C)	
Mechanical Life (noload)	2.5× 10 <sup>5</sup>	
Electrical Life (ratedload)	1× 10 <sup>5</sup>	
Mounting Position	Recommended mounting is plunger vertical with cap down	
Duty Cycle	Continuous; Intermittent 10s "on" maximum and minimum 1 minutes "off" .one minute "on" maximum and minimum 6 minutes "off" .	
Hardware Torque Specification	Contact Terminal	44-55 inch-lbs
	Coil Terminal	12-18 inch
Mass	398g(NJ70); 483g(NJ71)	

## Dimensions

Inch



## APPLICATION NOTES:

- 1) Not all number combinations are available. Please contact your Sales Representative for available part numbers.
- 2) Solenoids applied in battery charging circuits should be protected from higher than rated voltage during charging. The service life may be affected by this condition and the solenoid may or may not operate the circuit as intended.
- 3) Circuits should be designed to provide safe operation should the solenoid fail in either the open or closed position.
- 4) A back-up wrench must be used to hold the bottom nut stationary during installation.

## Features

- High current capacity control(80A).
- Isolated or grounded coils.
- Enclosed in dust-resistant case.
- Longer steel encasement permits lower heat rise and more sensitive operation on Type NJ71.

## Ordering Information

**NJ70** **A** **1** **DC6V** **23** **2**  
 1 2 3 4 5 6

1 Part number: NJ70,NJ71	4 Coil Voltage:6,12,18,24,36
2 Contact arrangement: A:1A(SPNO) ; C:1C(SPDT);	5 Coil power consumption:NJ70:23:23W(int.),9:9W(cont.); NJ71:25:25W(int.),10:10W(cont.)
3 Coil termination(15in-1b torque spec.):	6 Hardware:2:Hardware loosely assembled;
1: Isolated coil,allAg contacts;	3:Hardware bulk packed(not assigned to new part numbers);
2: Coil grounded to case,allAg contacts;	4:Hardware loosely assembled(not assigned to new part numbers);
4: Isolated coil,Cu NO andAg NC contacts;	5:Hardware bulk packed;
5:Coil grounded to case,Cu NO andAg NC contacts;	7:No hardware included;
6:Coil common to NO(studmarked "BAT" ), Cu NO andAg NC contacts.	

## Contact Data

- Contact Arrangement: 1A (SPNO) ,1C(SPDT)
- Contact Material: 1A: Cu,Ag; 1C:Ag or Cu and Ag
- Termination: 5/16" -24 UNF-2A thread
- Contact rating

Type	Volts DC(V)	NO		NC	
		Conti.(A)	Inrush(A)	Conti.(A)	Inrush(A)
NJ70	6	80	800	60	100
	12	80	400	60	60
	24 & 36	50	200	30	30
NJ71	6	80	1000	60	100
	12	80	500	60	60
	24 & 36	50	250	30	30

## Coil parameter

- Termination: #10-32 UNF-2A thread
- Connections:
  - 1.Coil isolated(two terminals);
  - 2.One coil lead grounded to case(one terminal).
  - 3.One coil lead common to NO terminal marked "BAT" (one terminal)
- Coil data:

Type	Coil voltage (VDC)		Coil Resistance (Ω)		Operate Voltage (VDC) (75%of rated voltage)	Coil power (W)	
	Rated	Max.	Intermittent	Continuous		Intermittent	Continuous
NJ70	6	6.6	1.5	4.0	4.5	23	9
	12	13.2	6.2	16.0	9		
	18	19.8	20.3	37.4	13.5		
	24	26.4	23.9	60.4	18		
	36	39.6	60.4	114.0	27		
NJ71	6	6.6	1.4	3.5	4.5	25	10
	12	13.2	4.9	13.5	9		
	18	19.8	13.46	36.0	13.5		
	24	26.4	20.1	57.1	18		
	36	39.6	57.1	131.0	27		