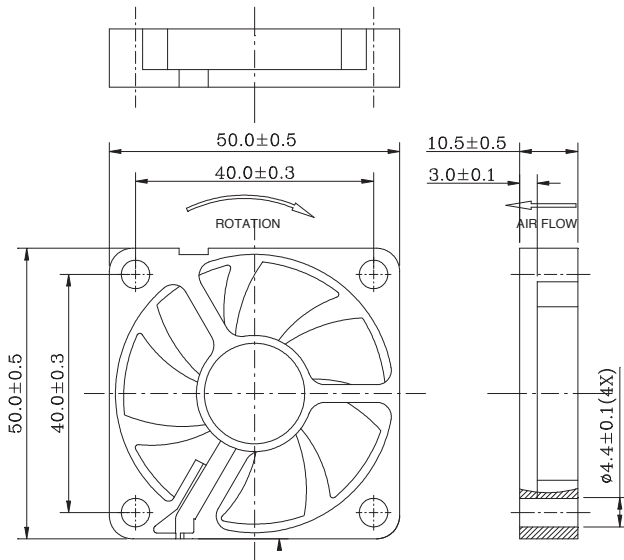
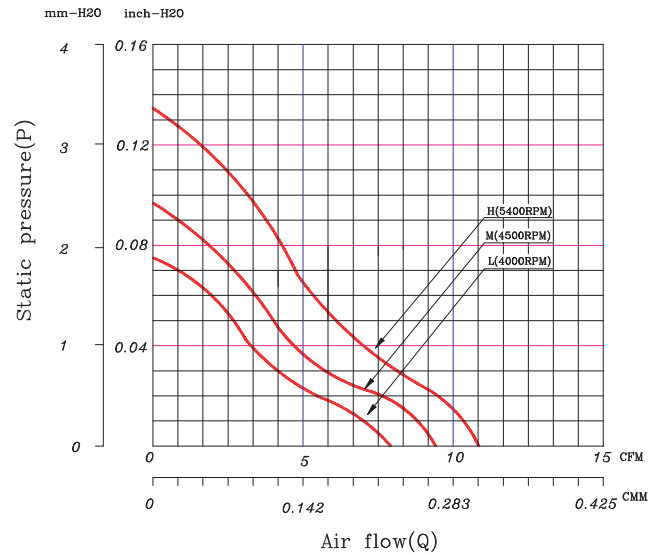


### Dimensions



### Performance Curves



Air exhaust over struts. Rotational direction CCW looking at rotor.

Brushless DC Motor	Bearing Type
Weight: 17g Impedance protected Lead wire UL 1007 AWG 26	Ceramic

\* All fans are with electronic protection against reverse polarity. The fan only operates when the polarity is correct.

Function Options	
● Frequency Generator	● Auto Restart
● Temperature Control	● Rotation Detection

- \* Please contact us for PWM function availability.
- \* Please contact us for IP55 availability.
- \* Safety Approval: CE, UL, TUV

### Specifications

Model	Rated Voltage (VDC)	Rated Current (Amp)	Input Power (Watts)	Nominal Speed (RPM)	Airflow (CFM)	Static Pressure (inch -H2O)	Noise Level (dBA)
FAN5010C12H	12	0.11	1.32	5400	10.16	0.13	31.50
FAN5010C12M	12	0.09	1.08	4500	8.56	0.09	26.50
FAN5010C12L	12	0.07	0.84	4000	7.63	0.07	23.50

\* Specifications are subject to change without prior notice.

\* Check with your distributor for models available.