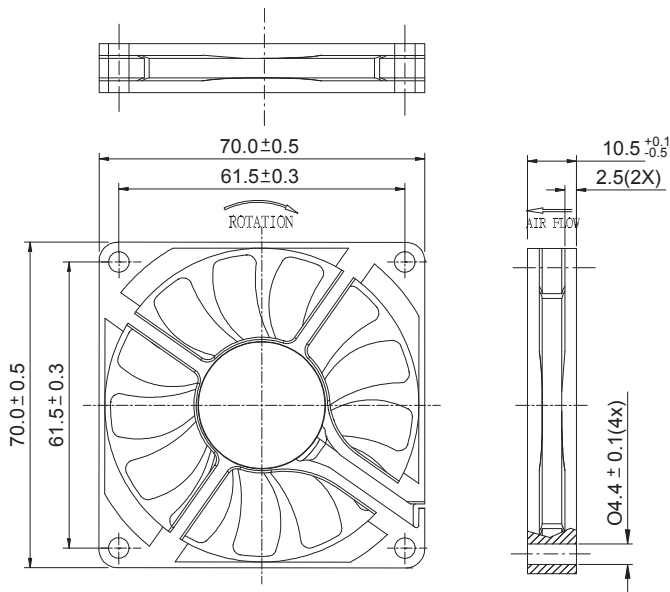
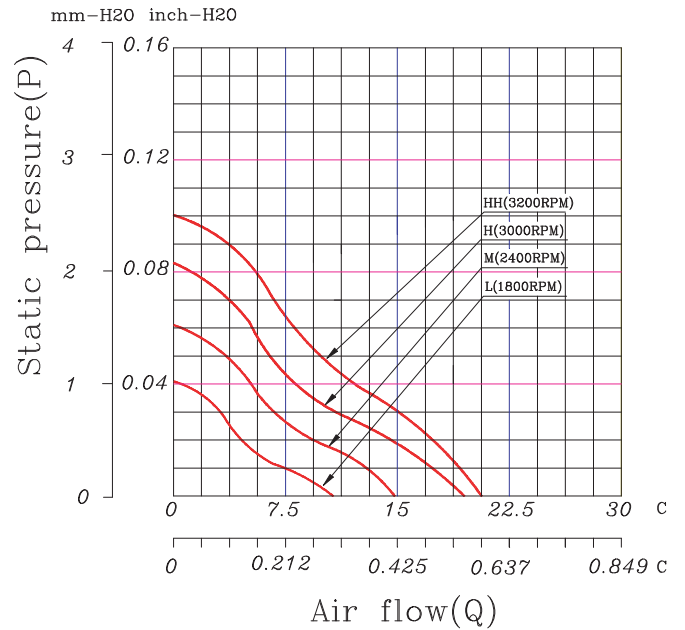


Dimensions



Performance Curves



Air exhaust over struts. Rotational direction CCW looking at rotor.

Brushless DC Motor	Bearing Type
Weight: 27.5g Impedance protected Lead wire UL 1007 AWG 24	Ceramic

* All fans are with electronic protection against reverse polarity. The fan only operates when the polarity is correct.

Function Options	
● Frequency Generator	● Auto Restart
● Temperature Control	● Rotation Detection

- * Please contact us for PWM function availability.
- * Please contact us for IP55 availability.
- * Safety Approval: CE, UL, TUV

Specifications

Model	Rated Voltage (VDC)	Rated Current (Amp)	Input Power (Watts)	Nominal Speed (RPM)	Airflow (CFM)	Static Pressure (inch -H2O)	Noise Level (dBA)
FAN7010C5HH	5	0.25	1.25	3200	20.45	0.10	33.80
FAN7010C5H	5	0.20	1.00	3000	19.42	0.08	31.40
FAN7010C5M	5	0.18	0.90	2400	14.83	0.06	26.50
FAN7010C5L	5	0.14	0.70	1800	10.59	0.04	20.20

* Specifications are subject to change without prior notice.

* Check with your distributor for models available.