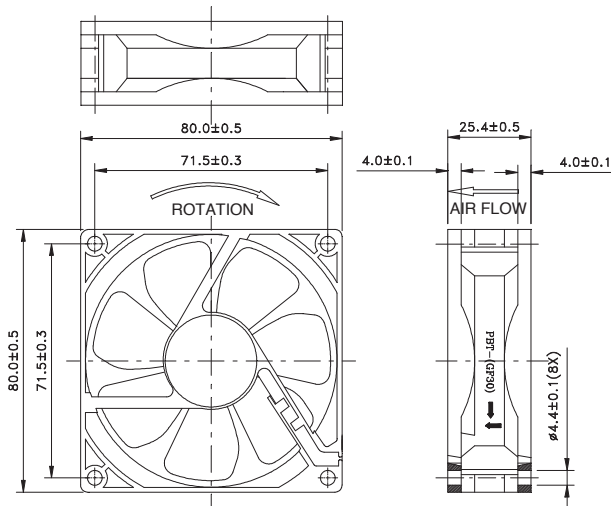
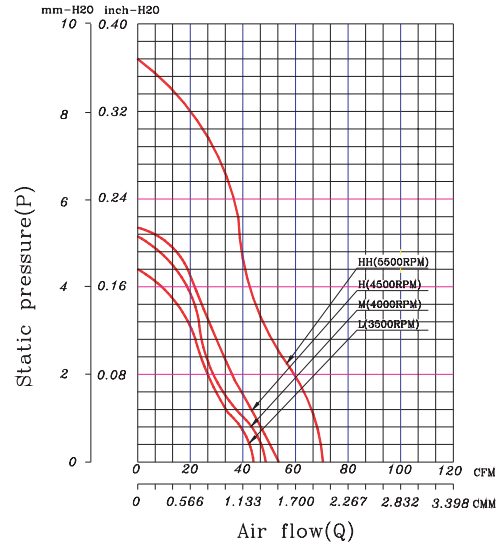


### Dimensions



### Performance Curves



Air exhaust over struts. Rotational direction CCW looking at rotor.

Brushless DC Motor	Bearing Type
Weight: 70g Impedance protected Lead wire UL 1007 AWG 24	Ceramic

\* All fans are with electronic protection against reverse polarity. The fan only operates when the polarity is correct.

Function Options	
<input type="checkbox"/> Frequency Generator	<input type="checkbox"/> Auto Restart
<input type="checkbox"/> Temperature Control	<input type="checkbox"/> Rotation Detection

- \* Please contact us for PWM function availability.
- \* Please contact us for IP55 availability.
- \* Safety Approval: CE, UL, TUV

### Specifications

Model	Rated Voltage (VDC)	Rated Current (Amp)	Input Power (Watts)	Nominal Speed (RPM)	Airflow (CFM)	Static Pressure (inch -H2O)	Noise Level (dBA)
FAN8025C12HH-I	12	0.60	7.20	5000	68.10	0.36	44.30
FAN8025C12H-H	12	0.45	5.40	4500	54.10	0.25	40.00
FAN8025C12M-I	12	0.30	3.60	4000	48.40	0.21	37.50
FAN8025C12L-I	12	0.25	3.00	3500	41.60	0.16	34.60
FAN8025C24HH-I	24	0.32	10.80	5500	68.10	0.36	44.30

\* Specifications are subject to change without prior notice.

\* Check with your distributor for models available.